

ULTRA MAX[®]

Sealed Gel Rechargeable Battery Product Specification

SLAUMXNPG18-12(12V18AH)



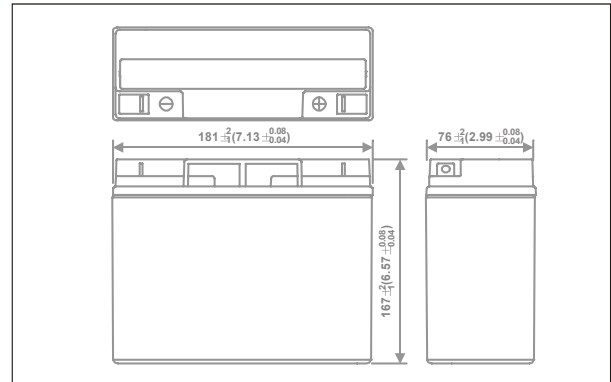
Specifications

Nominal Voltage		12V
Rated capacity (20 hour rate)		18Ah
Dimensions	Total Height	167 mm(6.57 inches)
	Height	167 mm(6.57 inches)
	Length	181 mm(7.13 inches)
	Width	76 mm(2.99 inches)
Weight Approx		5.6 Kg (12.3 lbs)

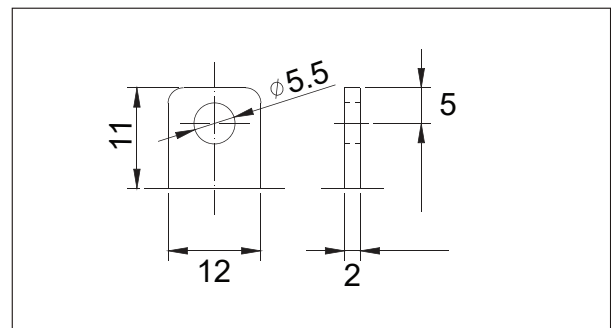
Characteristics

Capacity 25°C(77°F)	20 hour rate(0.90 A)	18.0 AH
	10 hour rate(1.71 A)	17.1AH
	5 hour rate(3.06 A)	15.3AH
	1 hour rate(10.5 A)	10.5AH
	1.5 hour discharge to 10.5V	7.20A
Internal Resistance	Full charged Battery at 25°C(77°F)	10.5mΩ
Capacity affected by Temperature (20 hour rate)	40°C(104°F)	102%
	25°C(77°F)	100%
	0°C(32°F)	85%
	-15°C(5°F)	65%
Self-Discharge at 25°C(77°F)	Capacity after 1 month storage	92%
	Capacity after 3 month storage	90%
	Capacity after 6 month storage	80%
Terminal		T3
Charge (constant Voltage)	Cycle	Maximum Charging Current 5.4 A Voltage 13.80-14.40V
	Float	Voltage 13.50-13.80V

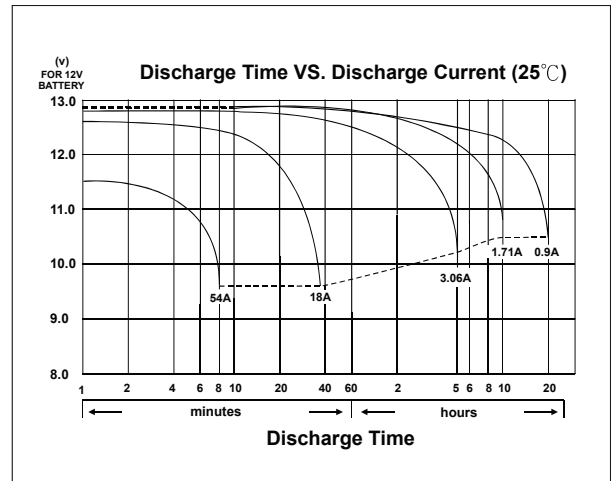
Outer dimensions (mm)



Terminal Type (mm)



Discharge Curves 25°C(77 °F)



Constant Current(Amp) and Constant Power(Watt) Discharge Table at 25 °C(77 °F)

Time		5 Min	10 Min	15 Min	30 Min	1hr	2Hr	3Hr	4Hr	5Hr	10Hr	20Hr
9.60V	A	80.2	50.1	39.7	21.9	11.5	6.72	4.85	3.68	3.16	1.85	0.962
	W	846	557.4	450.6	244.8	133.2	81	58.68	44.76	38.46	22.5	11.76
10.20V	A	75.1	46.5	37.7	20.7	11	6.53	4.73	3.62	3.11	1.82	0.946
	W	810	534.6	435	236.4	127.8	78.6	57.18	43.62	37.62	22.02	11.52
10.50V	A	71.9	44.3	36.3	19.8	10.7	6.39	4.64	3.58	3.07	1.8	0.931
	W	768	507	416.4	226.2	124.2	76.2	55.98	42.72	37.02	21.6	11.28
10.80V	A	68.3	41.8	34.6	18.7	10.3	6.23	4.52	3.52	3.02	1.77	0.914
	W	696	462.6	387	210.6	118.8	74.4	54.6	41.58	36.3	21.12	10.98
11.10V	A	62.6	38.6	31.9	17.4	9.74	5.98	4.35	3.43	2.96	1.73	0.893
	W	593.4	402	343.2	196.2	112.8	71.4	52.5	39.78	34.92	20.4	10.62